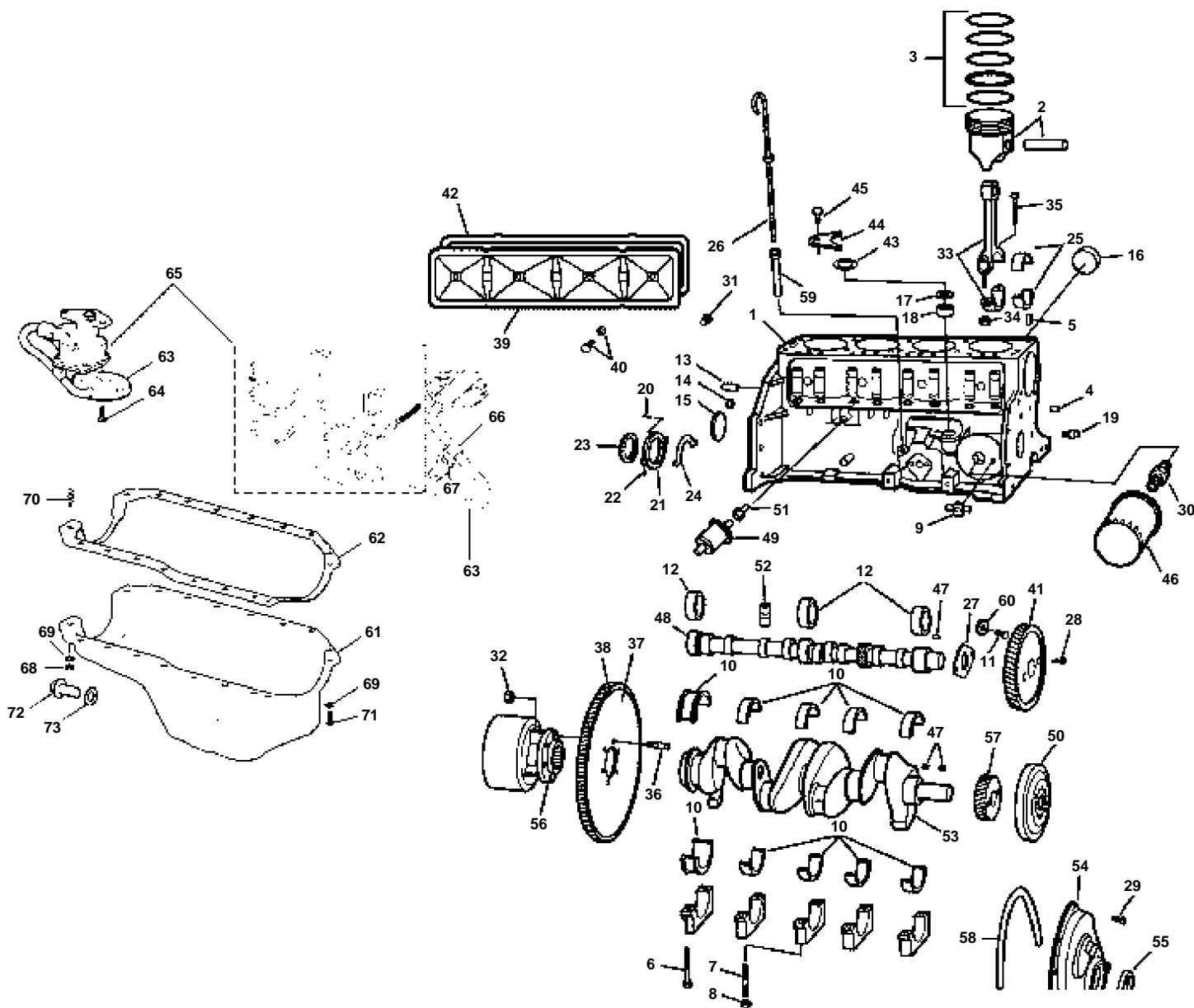


CRANKCASE AND OIL PAN



GR71894

CRANKCASE AND OIL PAN

REF	PART NO.	QTY	DESCRIPTION	SEE SEC.	NOTES
1	3857760	1	Longblock		
			Bulletin P-21-0-2	P-21-0-2-EN	Longblock guidelines, 3.0L
2	3853340	4	Piston, Standard		
	3853477		Piston, 0.020 in. OS		0.51 mm; as required
3	3853960	4	Piston ring kit, Standard		
	3854252		Piston ring kit, 0.020 in. OS		0.51 mm; as required
4	3852743	1	Plug, Oil galley		
5	3853114	8	Locating pin, Cylinder head		
6	3852933	9	Screw, Main cap		
7	3853111	1	Stud, Main cap		
8	3853134	5	Nut, Oil pump to stud		
9	3855996	1	Oil valve, Oil filter bypass		
10	3856731	1	Main bearing kit, Standard		
	3856732	1	Main bearing kit, 0.010 in. US		0.25 mm
	3856733	1	Main bearing kit, 0.020 in. US		0.51 mm
	3856734	1	Main bearing kit, 0.030 in. US		0.76 mm
11	3852182	3	Lock washer, Screw, thrust bearing		
12	3852829	3	Camshaft bearing, Camshaft, standard		
13	3853113	2	Locating pin, Locating adapter		
14	3852471	2	Plug, Oil galley		
15	3852851	1	Cap plug, Camshaft		
16	3852100		Core plug, Engine block		As required
	3852101	1	Core plug, Rear crankcase		
17	3853112	1	Thrust washer, Distributor		
18	3853115	1	Bearing, Distributor, oil pump		
19	3853067	1	Nozzle, Timing gear oil		
20	3853339	2	Bolt, Rear seal retainer		
	3857901	2	Bolt, Rear seal retainer		1.38 in (35 mm)
21	3855820	1	Housing, Rear oil seal		
22	3853202	2	Stud, Seal retainer		
23	3852657	1	Seal, Rear crankshaft		Part of engine gasket kit
24	3852656	1	Gasket, Seal retainer		Part of engine gasket kit
25	3853149	4	Big end bearing kit, Standard		
	3856117	4	Rod bearing, 0.010 in. US		0.25 mm
	3853153	4	Rod bearing, 0.020 in. US		0.51 mm
26	3850472	1	Oil dipstick, Engine		
27	3853136	1	Thrust bearing, Camshaft, thrust		
28	3852441	2	Screw, Timing gears to cam		
29	3856134	8	Screw, Front cover		
30	3852097	1	Connector, Oil filter adapter		
31	3850802	1	Plug, Water drain, engine		
32	3853273	6	Lock nut, Flywheel and coupler to crankshaft		
33	3853785	4	Connecting rod		
34	3853148	8	· Nut, Connecting rod		
35	3853144	8	· Screw, Connecting rod		
36	3853274	6	Stud, Flywheel and coupler to crankshaft		
37	3858658	1	Flywheel		
38	3858659	1	· Gear ring, Flywheel		
39	3853138	1	Cover, Push rod		
40	3853955	4	Screw		
41	3852452	1	Gear, Camshaft		
42	3852692	1	Gasket, Push rod cover		Use with original cover. Part of engine gasket kit.
	3856443	1	Gasket, Push rod cover		Use with service cover. Part of engine gasket kit.
43	3852660	1	Gasket, Distributor		Part of engine gasket kit
44	3853142	1	Clamp, Distributor		
45	3853266	1	Screw, Distributor		
46	835440	1	Oil filter		
			Bulletin P-21-7-1	P-21-7-1-EN	Oil Filters, GM gas engines
47	3852663	3	Key, Timing gears		
48	3854262	1	Camshaft		
49	872064	1	Sender, Oil pressure, dual station		

CRANKCASE AND OIL PAN

REF	PART NO.	QTY	DESCRIPTION	SEE SEC.	NOTES
49	3857532	1	Sender, Oil pressure		
50	3852662	1	Vibration damper, Crankshaft pulley		
51	3853400	1	Nipple, Adapter, oil pressure sending unit		
52	3854033	8	Tappet		
53	3853338	1	Crankshaft		
54	3853135	1	Timing gear casing, Timing gears		
55	3853341	1	Seal, Crankshaft, front		Part of engine gasket kit
56	3854032	1	Rubber coupling, Flywheel		
57	3852661	1	Gear, Crankshaft		
58	3852691	1	Gasket, Front cover		Part of engine gasket kit
59	3857268	1	Tube, Oil gauge		
60	3856134	3	Screw, Cam thrust bearing		
	3856729	1	Gasket kit, Upper		Not shown
	3856730	1	Gasket kit, Lower		Not shown
61	3857863	1	Oil pan		
62	3853343	1	Gasket, Oil pan		Part of engine gasket kit
63	3857865	1	Oil pump screen, Oil pump		
64	3853173	3	Screw, Oil pump to block		
65	3853843	1	Oil pump		
66	3852658	1	Gasket, Oil pump		Part of engine gasket kit
67	3853219	1	Screw, Oil pipe support		
68	3853168	4	Nut, Oil pan		
69	3852055	2	Washer, Oil pan		
70	3853171	2	Screw, Oil pan		
71	3852595	18	Screw, Oil pan		
72	856295	1	Gasket, Drain, oil pan		
73	841215	1	Plug, Drain, oil pan		
	3857864	1	Bracket, Oil pump screen		Not shown